

**VISIT SITE NOW >>**

## Heavy Duty Slurry Pump – 1-Inch

MODEL #	
HD1K	
OPERATING LEVELS	
MIN FLOW	1 GPM
MAX FLOW	200 GPM
HEAD RANGE	Up to 170 ft
DISCHARGE SIZE	1 inch
SUCTION SIZE	1.5 inch
SOLIDS HANDLING	Solids up to 0.75 inches
MOTOR SPEED	1800 RPM, 3600 RPM
PERCENT SOLIDS	Up to 40-70% Solids
PRODUCTION RATE	0-15 yd <sup>3</sup> material/hr
LARGEST PARTICLES	0.75 inch



\*Typical Deployment Photo. Dredge pumps can be deployed vertically or horizontally. Photos for general guidance. Contact us for further details.

PARTS	STANDARD MATERIALS
ROTOR	High Chrome 28%, Ductile Iron, Stainless Steel, Duplex Stainless - Various sizes and custom metals available.
VOLUTE CASING	High Chrome 28%, Ductile Iron, Stainless Steel, Duplex Stainless - Custom metals available.
SHAFT SLEEVE	Stainless Steel
MECHANICAL SEAL	Tungsten or Silicon Carbide Mechanical Seal with Self Contained Seal Support System
MOTOR MOUNT	Ductile Iron or Stainless Steel

**EDDY Pump Heavy Duty Slurry Pumps** are non-clog pumps designed for high solids industrial pumping applications. Our patented pump technology outperforms all centrifugal, vortex and positive displacement pumps in a variety of the most difficult pumping applications.

Available in alternative power options and pump sizes depending on your application.

### Applications

- Mining
- Chemical
- Sand & Agg
- Oil and Gas
- Paper & Pulp
- Fly Ash & Coal Ash

### Features and Benefits

- Non-Clog, High Viscosity, High Specific Gravity, High Abrasives, Low pH Pumping Design
- Transport 40-70% Solids
- Ability to pump objects of almost up to discharge diameter

### Fluid Pumped

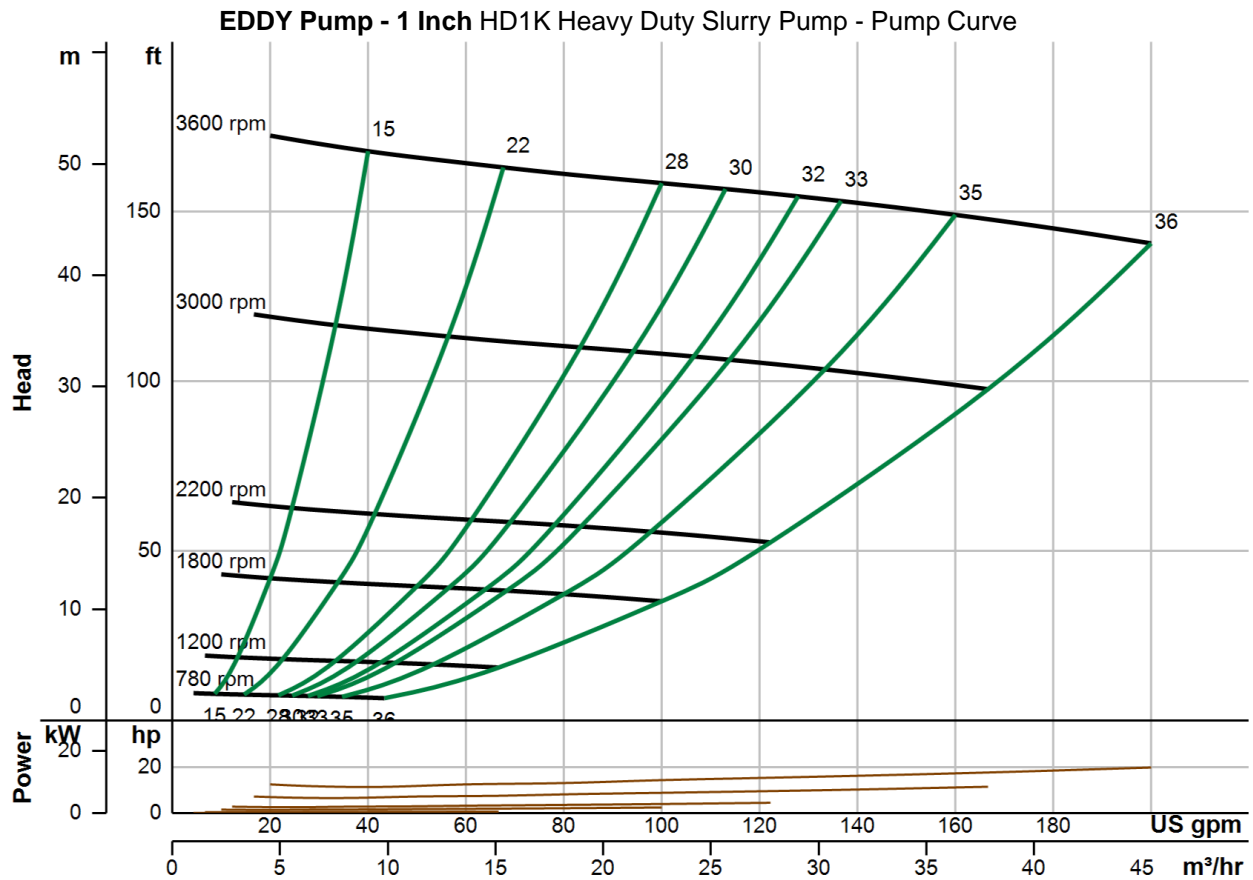
- Sludge
- Slurry
- Drilling Mud
- Mine Tailings
- Grit
- Sand Mixtures

**WE PUMP SOLIDS, NOT WATER**



## PUMP CURVE

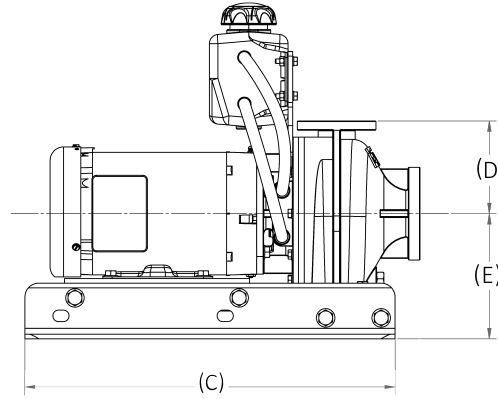
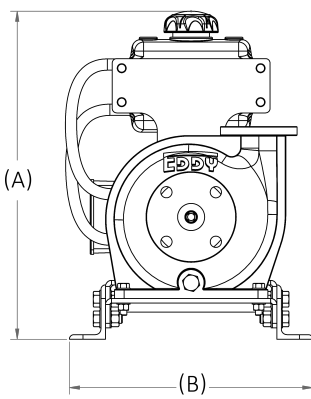
A pump curve is a graphical representation of a pumps ability to produce flow against a certain head. The science is matching a curve that is accurate for your project, leading to the proper pump selection and best efficiency. **EDDY Pumps** are primarily used for high solids, slurry, sludge, and dewatering.



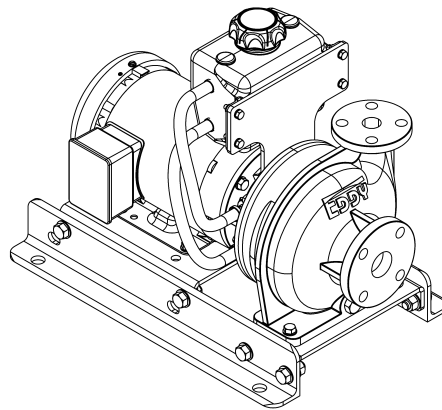
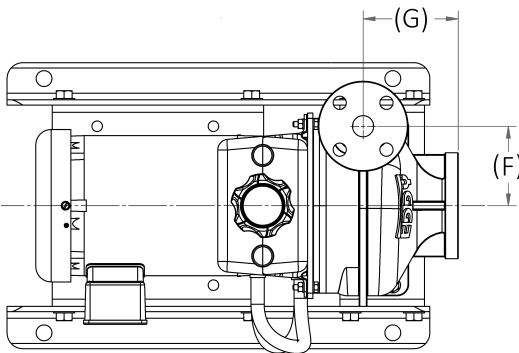
\*General pump curve based on water with 1800RPM motor. Contact us with your specific material for a custom pump curve.



PUMP DIMENSIONS							
Power	(A)	(B)	(C)	(D)	(E)	(F)	(G)
2 HP	18.1"	13.5"	21.3"	5.0"	6.8"	3.8"	4.5"
3 HP	18.1"	13.5"	22.4"	5.0"	6.8"	3.8"	4.5"
5 HP	18.1"	13.5"	23.6"	5.0"	6.8"	3.8"	4.5"
10 HP	18.1"	13.5"	24.1"	5.0"	6.8"	3.8"	4.5"



MATERIAL OPTIONS
ASTM A532 III-A HARDENED
CAST 316 STAINLESS STEEL
ASTM A892 DUPLEX STAINLESS STEEL
ASTM A536 80-55-06, DUCTILE IRON



ROTOR SIZE OPTIONS
ROTOR, 4" CAST, MACHINED & BALANCED
ROTOR, 5" CAST, MACHINED & BALANCED
ROTOR, 6" CAST, MACHINED & BALANCED

## WE PUMP SOLIDS, NOT WATER

**CONTACT US**



**(619) 258-7020**



**info@EddyPump.com**